

VOLTDRIVE NS2 AC charging station

VOLTDRIVE NS charging stations are designed for safe AC charging of electric vehicle batteries



INSTALLATION ON A CONCRETE BASE/FOUNDATION

- Start charging automatically by connecting the charging cable, without the need for activation
- Start charging automatically by connecting the charging cable after activation:
 - 1x key [unique key for the whole station]
 - 2x key [unique key for each socket]
 - RFID card [for the whole station]

- 2x three-phase charging 400 V AC / 32 A TYPE 2 according to IEC 62196
- maximum charging power 22 kW / socket

- Resistance to weathering and vandalism
- Indication of LED power consumption
- Constant LED illumination
- Front service door with lock
- Aluminium varnished material [RAL two-colour scheme]
- Segments providing overcurrent and differential protection
- Connected to TN-S or TN-C network, 400 V, 63 A, 50 Hz [recommended CYKY 5 x 16 mm]
- Degree of protection IP54 according to ČSN EN 60529
- Working temperature -25 °C to +40 °C
- Weight 62 kg
- Dimensions 480 x 1480 x 290 mm
- Minimal maintenance costs

CHARGING STATION DESIGN

- Standard green & white [RAL6032 / RAL9003]
- Design according to agreement. It is necessary to specify the RAL charging station, as well as any other graphic elements



VARIABILITY OF ELECTRICAL SOCKETS

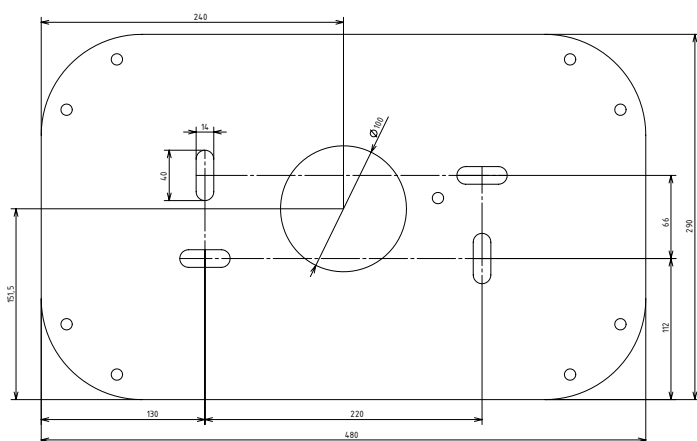
- 3 socket with protective pin 16 A / 230 V AC CSN
- 3 pin plug with protective contact 16 A / 230 V AC Schuko
- 5 pin plug 16 A / 400 V AC
- 5 pin plug 32 A / 400 V AC

OPTIONAL ACCESSORIES

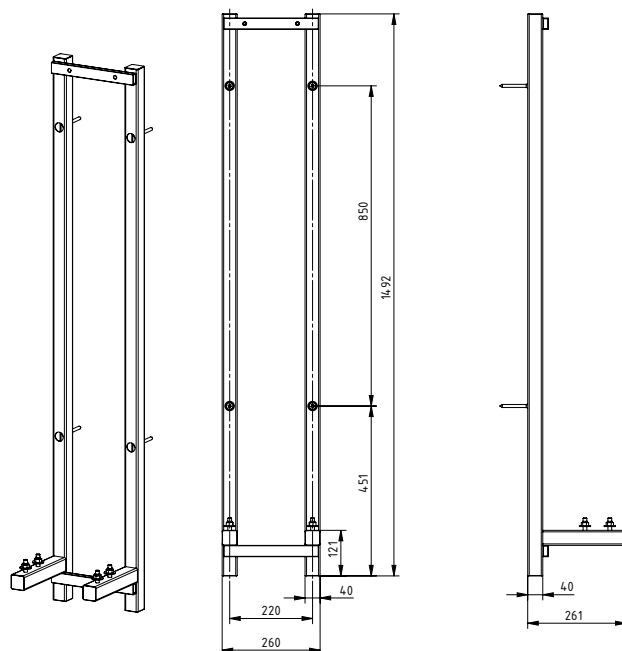
- Digital electricity meter
- ENERGY SYSTEM VOLTERRA- control of the maximum possible charging current, depending on the remaining appliances connected to the same branch
- Fixing IEC 62196 TYP2 socket against unauthorized cable disconnection

CHARGING STATION INSTALLATION

- The charging station is installed on a solid concrete base, or with the aid of a special wall-mounted bracket
- Base size 480 x 290 mm
- Anchor bolt spacing 220 x 66 mm
- Mounting hole 14 mm, anchored with an M12 bolt
- Cable feed from the bottom, through a 100 mm hole



■ ANCHOR TEMPLATE



■ WALL BRACKET