

VOLTDRIVE NS4 AC wall-mounted charging station

VOLTDRIVE NS range charging stations are designed for safe AC charging of electric vehicle batteries

WALL MOUNTED INSTALLATION

- Start charging automatically by connecting the charging cable without the need for activation
- Start charging automatically by connecting the charging cable after activation:
 - 1x key [unique key for the whole station]
 - 2x key [unique key for each socket]
 - RFID card [for the whole station]



- 2x three-phase charging 400 V AC / 32 A [MENNEKES]
- maximum charging power 22 kW / socket
- Resistance to weathering and vandalism
- Indication of LED power consumption
- Constant LED illumination
- Front service door with lock
- Aluminium varnished material [RAL two-colour scheme]
- Segments providing overcurrent and differential protection
- Connected to TN-S or TN-C network, 400 V, 63 A, 50 Hz [recommended CYKY 5 x 16 mm]
- Degree of protection IP54 according to ČSN EN 60529
- Working temperature -25 ° C to +40 ° C
- Weight 30 kg
- Dimensions 480 x 755 x 290 mm
- Minimal maintenance costs

CHARGING STATION DESIGN

- Standard green & white [RAL6032 / RAL9003]
- Design according to agreement. It is necessary to specify the RAL colour [s] for the charging station, as well as any other graphic elements

VARIABILITY OF ELECTRIC SOCKETS

- 3 pin plug with protection pin 16 A / 230 V AC ČSN
- 3 pin plug with protective contact 16 A / 230 V AC Schuko
- 5 pin plug 16 A / 400 V AC
- 5 pin plug 32 A / 400 V A C



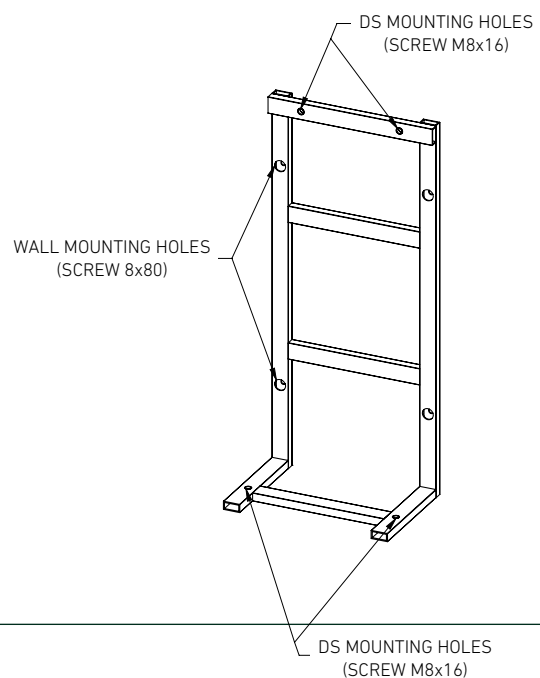
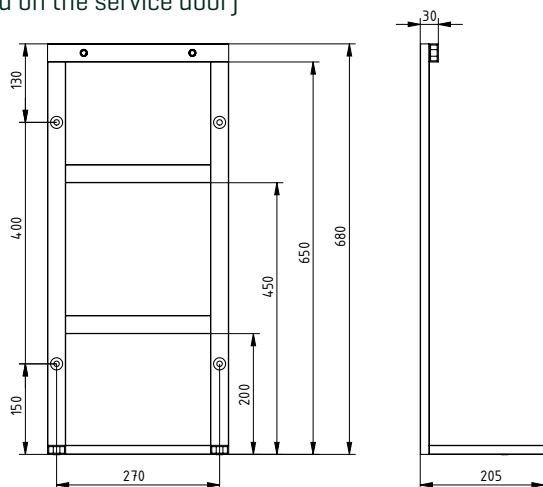
OPTIONAL ACCESSORIES

- Digital electricity meter
- Fixing IEC 62196 TYP2 socket against unauthorized cable disconnection
- ENERGY SYSTEM VOLTERRA - control of the maximum possible charging current, depending on the remaining appliances connected to the same branch

INSTALLATION OF THE CHARGING STATION - WALL MOUNTED

- Installation of the charging station - wall mounted
- The charger is installed using a special wall mount/bracket
- Anchor bolt spacing 400x270mm
- Anchor bolt 8x80mm
- Rear cable feed, through the PG21 grommet
- Assembly:
 - The charging station bracket is installed on the charging station when delivered
 - First, unscrew the bracket from the charging station
 - Open the service door and unscrew the two screws at the bottom of the station, [Fig. 1](#)
 - Unscrew the roof of the charging station [four screws, star head]
 - Remove the roof, disconnect the RJ45 CONNECTOR LED, and disconnect roof grounding
 - Unscrew the 2 screws of the bracket on the wall [below the mounting plate, large circular holes in the mounting plate], [Fig. 2](#)
 - Attach the bracket to the wall
 - Attach the charging station to the bracket, according to the unscrewing procedure [reverse method]
 - ▶ Screw the bracket in place ▶ Connect LED illumination ▶ Connect the roof grounding ▶ Screw on the roof
 - In case of public use of the charging station, use the blanking stars of the roof bolts and hammer them into the screws

[Standard on the service door]



■ WALL BRACKET